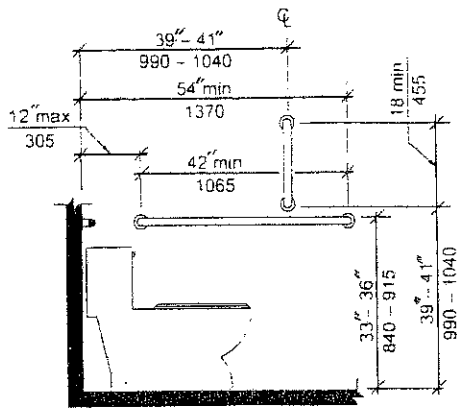
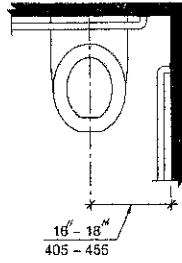


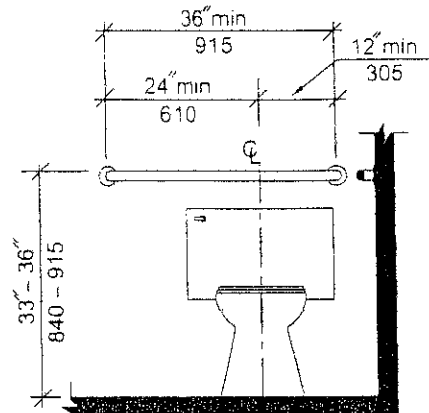
# Accessible Diagrams



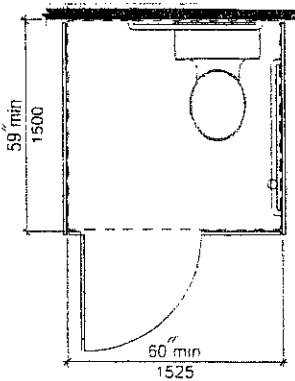
Sidewall Bar Dimensions



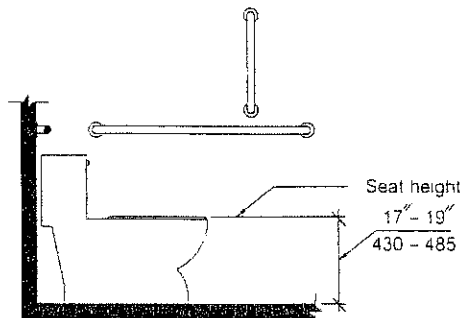
Accessible Water Closets



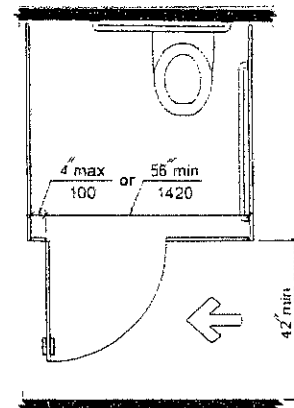
Backwall Bar Dimensions



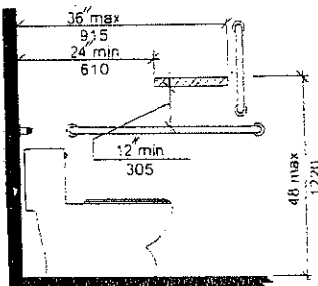
Stall Dimensions



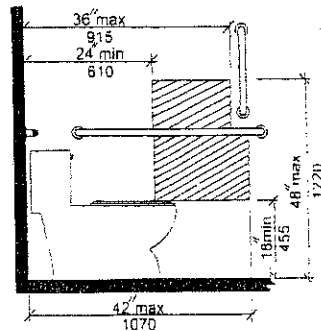
Seat Height



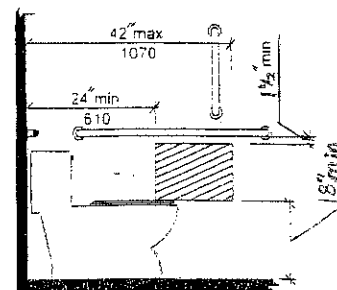
Door Clearances



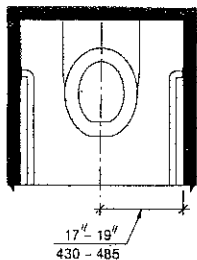
Protruding Dispenser Above Grab Bar



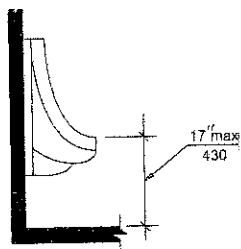
Recessed Dispenser



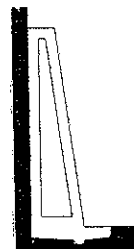
Protruding Dispenser Below Grab Bar



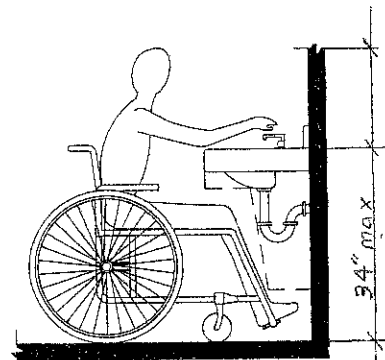
Ambulatory Accessible Water Closets



Wall Hung Type



Stall Type



Water supply and drain pipes shall be insulated or otherwise configured to protect against contact.