



Grant County Fairgrounds
3953 Airway Dr NE
Moses Lake WA 98837-1029
(509) 765-3581 Fax: (509) 766-7940
www.gcfairgrounds.com
grantcountyfairgrounds@co.grant.wa.us

GRANT COUNTY FAIRGROUNDS FEBRUARY 25 2016

REQUEST FOR PROPOSALS Electrical Service / Connection for Prefabricated Restroom

The Grant County Fairgrounds is seeking proposals from qualified companies to perform the rough in and final connections for a prefabricated bathroom on the Grant County Fairgrounds located at 3953 airway drive, Moses Lake WA.

The Grant County Fairgrounds is purchasing a pre manufactured bathroom built by CXT. Drawings are included with this RFP. The building is of concrete construction and contains a single box out for the 200a electrical service required for the building (note 11 on drawing)

Cost should include all labor, materials, and whatsoever else necessary and required to trench, install, permit, inspect, and test the electrical systems in the building shown within this RFP. After setting the structure (by others) contractor will perform final connections to panel. All work and material shall conform to the NEC and contractor is required to have knowledge of any local administrative requirements. Project must be completed no later than June 15th.

Contractor will be required to perform excavation, backfill, and compaction of any and all trenches required for the project. Currently a 200a pedestal is located within 15' of the proposed building location. The transformer that feeds this pedestal is approximately 80' from that pedestal.

All work performed on the Grant County Fairgrounds is considered a public work and subject to the prevailing wage laws of the State of Washington. Contractors are required to file intents and affidavits with the Department of Labor and Industries. Notice to proceed is not given without an approved intent.

Jereme Roy
Maintenance Lead
jroy@grantcountywa.gov

Contractor must be licensed, bonded, and able to provide certificate of insurance prior to a notice to proceed. Contractor must not be debarred from bidding on public works. Contractor must meet those requirements of a responsible bidder as set forth in the RCW

Please provide your proposal by March 11th,2016 to the Fairgrounds Office Attention: Jereme Roy no later than 4:30 p.m. Proposals will not be accepted if the following is not met. Proposals must be hand delivered. Facsimile and email are not accepted.

Important dates / requirements	Date	Yes	RCW / Notes
RFP requested	Feb 25th 2016		MRSC roster members / Grant County Web Site
Submission Deadline	Mar 11th 2016		by 4 p.m.
Bonds Required		XX	RCW 39.08.010
Insurance Required		XX	
Prevailing Wage		XX	RCW 39.04.010 / WAC 296-127-010(5)(b)
Completion of Project	No Later Than		June 15 th 2016

Please direct any and all questions including the scheduling of a highly recommended walk through to:

Jereme Roy
Grant County Fairgrounds Maintenance Lead
509-237-2935
509-765-3581

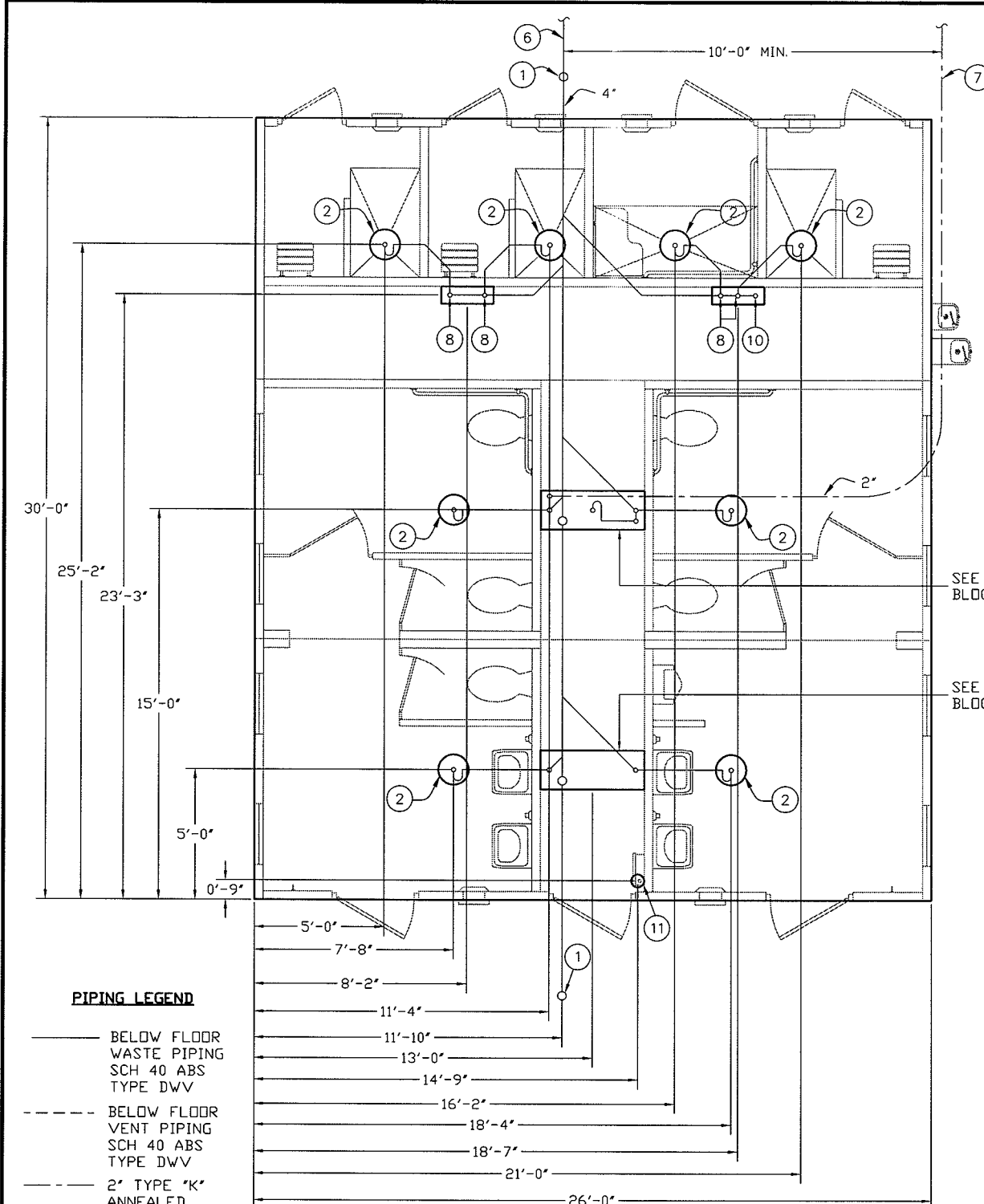
Thank you in advance for your courtesies,

Jereme Roy

Jereme Roy
Maintenance Lead,
Grant County Fairgrounds

THIS DRAWING IS SUPPLIED FOR REFERENCE ONLY. PLEASE CONTACT CXT ENGINEERING DEPARTMENT FOR BUILDING SPECIFIC CONTROLLED DOCUMENTS PRIOR TO ANY FIELD WORK.

ALL PIPING INDICATED ON THIS SHEET IS NOT BY CXT



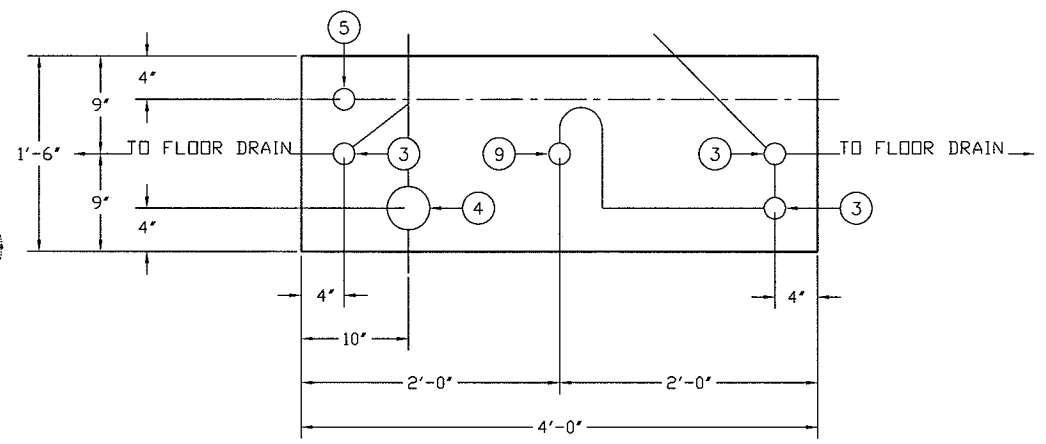
PIPING LEGEND

- BELOW FLOOR WASTE PIPING SCH 40 ABS TYPE DWV
- - - BELOW FLOOR VENT PIPING SCH 40 ABS TYPE DWV
- - - 2" TYPE "K" ANNEALED "SOFT" COPPER WATER SERVICE

FLOOR DRAIN BLOCKOUTS & BELOW FLOOR PIPING

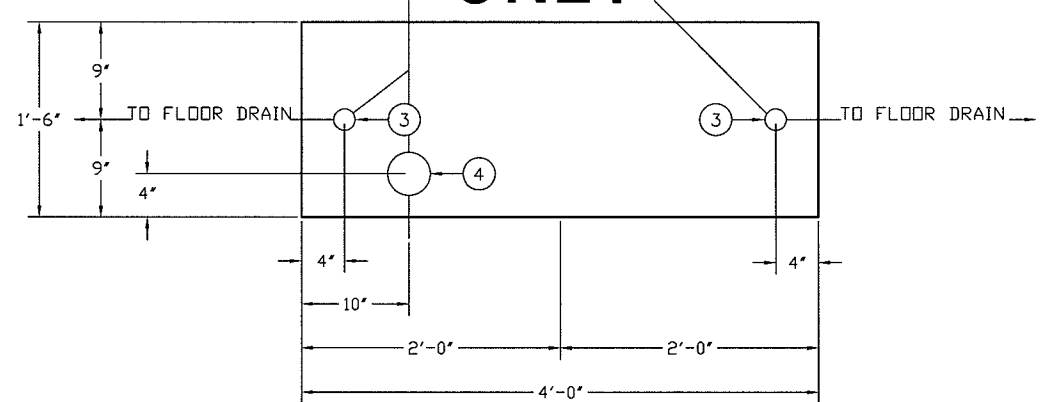
BELOW FLOOR PIPING - KEY NOTES

1. 4" CLEAN OUT TO GRADE.
2. 2" FLOOR DRAIN. FIELD INSTALLED TRAP PRIMER SYSTEM IF REQUIRED BY AUTHORITY HAVING JURISDICTION. (14" DIA BLOCKOUT)
3. 2" VENT PIPES EXTENDED 12" ABOVE FINISHED FLOOR LEVEL, PROVIDE TEST PLUGS. (1'-6" x 4'-0" BLOCKOUT)
4. 4" WASTE PIPE EXTENDED 12" ABOVE FINISHED FLOOR LEVEL, PROVIDE TEST PLUG. (1'-6" x 4'-0" BLOCKOUT)
5. 2" TYPE K ANNEALED "SOFT" COPPER WATER SERVICE EXTENDED 12" ABOVE FINISHED FLOOR LEVEL, PROVIDE CAP AT END. (1'-6" x 4'-0" BLOCKOUT)
6. 30" MIN. BURY, PROVIDE TRACER TAPE.
7. MIN. BURY PER LOCAL REQUIREMENTS TO PROTECT AGAINST FREEZING AND DAMAGE.
8. 2" VENT PIPES EXTENDED 12" ABOVE FINISHED FLOOR LEVEL, PROVIDE TEST PLUGS. (8" x 2'-0" BLOCKOUT)
9. 2" FLOOR DRAIN. FIELD INSTALLED TRAP PRIMER SYSTEM IF REQUIRED BY AUTHORITY HAVING JURISDICTION. (1'-6" x 4'-0" BLOCKOUT)
10. 2" WASTE PIPE EXTENDED 12" ABOVE FINISHED FLOOR LEVEL. (8" x 2'-0" BLOCKOUT)
11. ELECTRICAL STUB UP. (6" DIA BLOCKOUT)

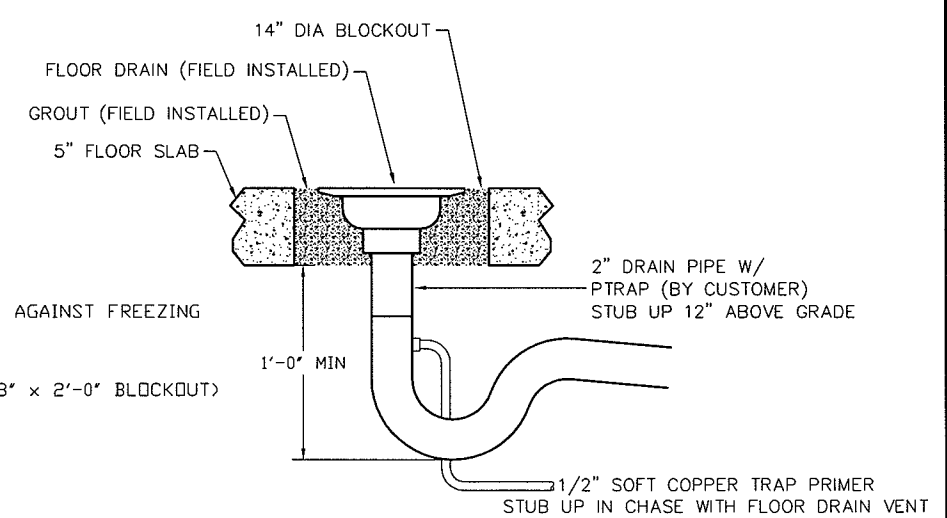


18' x 48' BLOCKOUT DETAIL "A"

FOR REFERENCE ONLY



18' x 48' BLOCKOUT DETAIL "B"



FLOOR DRAIN DETAIL



CHEYENNE
CXT STANDARD BUILDING

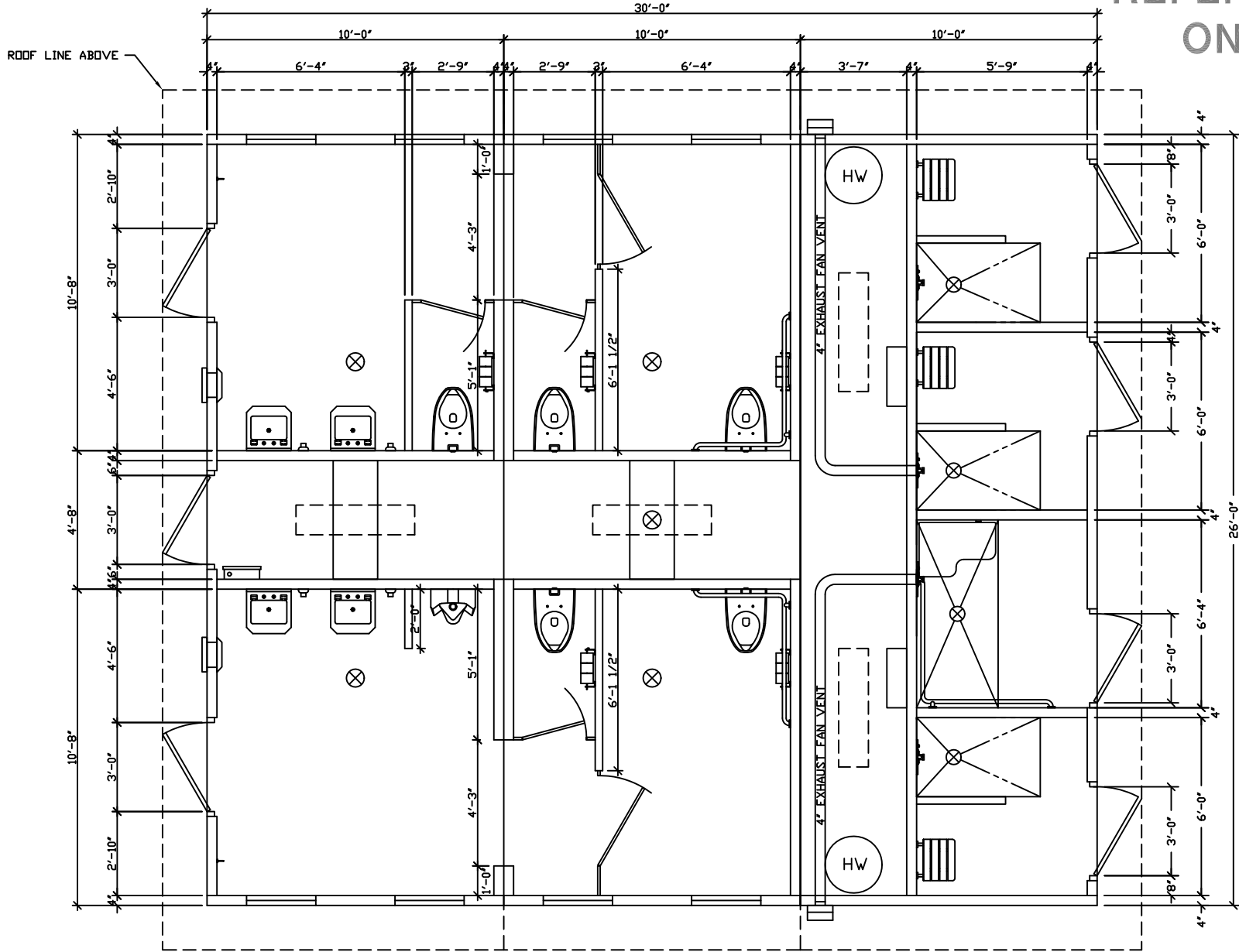
NOTICE
The information contained herein is proprietary and the exclusive property of CXT Incorporated. The information may only be used by the original recipient for the purpose intended. Reproduction or distribution of this information is strictly prohibited without the prior written consent of CXT Incorporated. By allowing use of this information, CXT Incorporated grants no warranty, express or implied, including a warranty of merchantability or of fitness for a particular purpose.
CXT Incorporated

REV.	DESCRIPTION	APPROVAL	DATE
SCALE	1/2"=1'-0"	DATE	11-10-06
DRAWN	ROB D WALKER	FILE NO.	FOR REF.
CHECKED		PLOT	24

FLOOR DRAIN LOCATION & BELOW FLOOR PIPING

DWG NO.	SHEET	REV.
CH-37	37	44

FOR
REFERENCE
ONLY



CHEYENNE
CXT STANDARD BUILDING

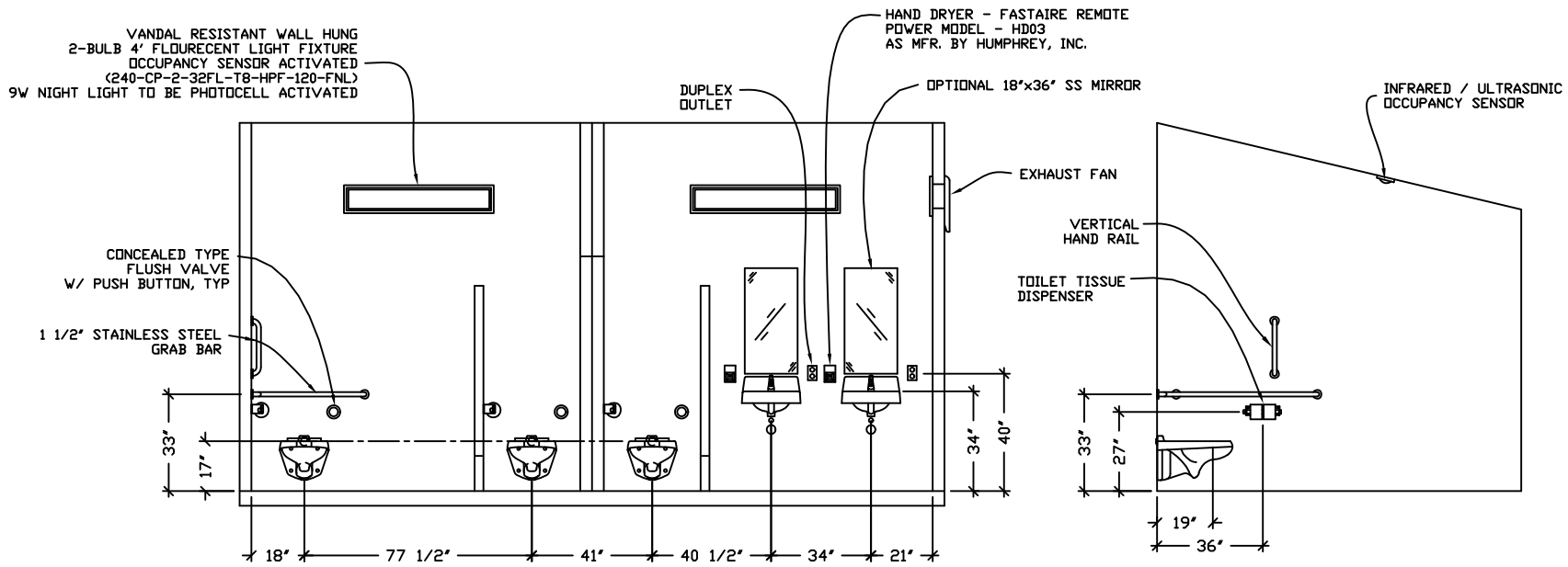
NOTICE
The information contained herein is proprietary and the exclusive property of CXT Incorporated. The information may only be used by the original recipient for the purpose intended. Reproduction or distribution of this information is strictly prohibited without the prior written consent of CXT Incorporated. By allowing use of this information, CXT Incorporated grants no warranty, express or implied, including a warranty of merchantability or of fitness for a particular purpose.

REV.	DESCRIPTION	DATE	BY	CHKD.

SCALE	3/8"=1'-0"	DATE	04-28-08
DRAWN	FILE NO.	PD-CH03	
CHECKED	PLOT	32	

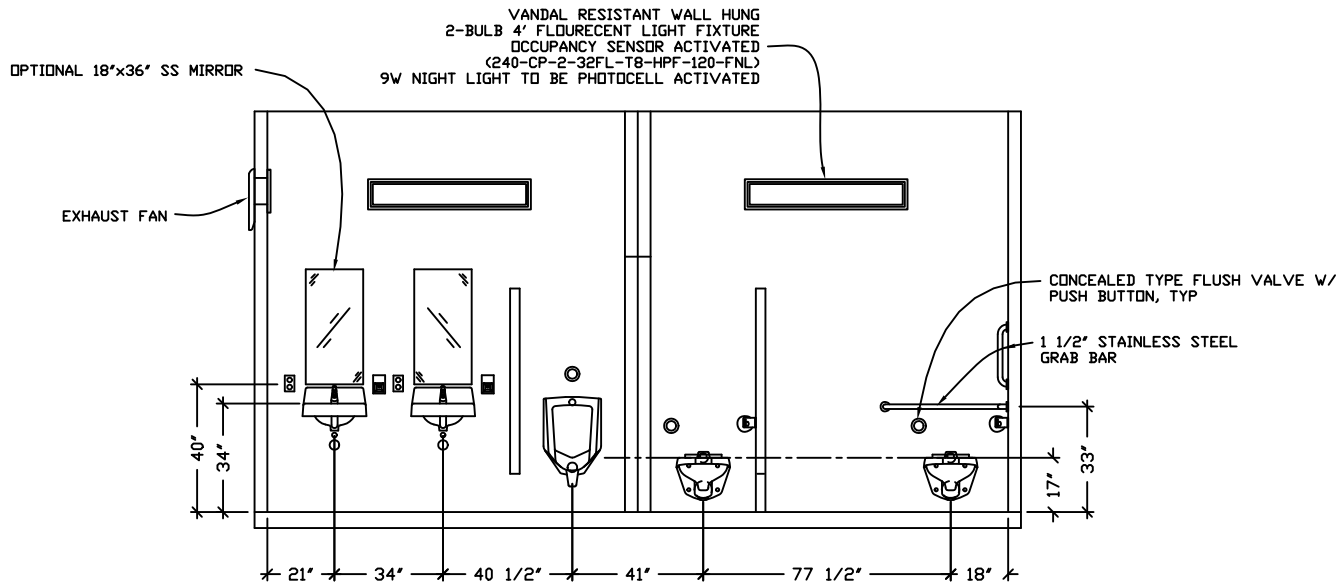
FLOOR PLAN

DWG NO.	SHEET	REV.
CH-03		



INTERIOR ELEVATION - WOMEN'S RESTROOM

INTERIOR ELEVATION - MEN'S RESTROOM
WOMENS OPPOSITE HAND



INTERIOR ELEVATION - MEN'S RESTROOM

FOR
REFERENCE
ONLY

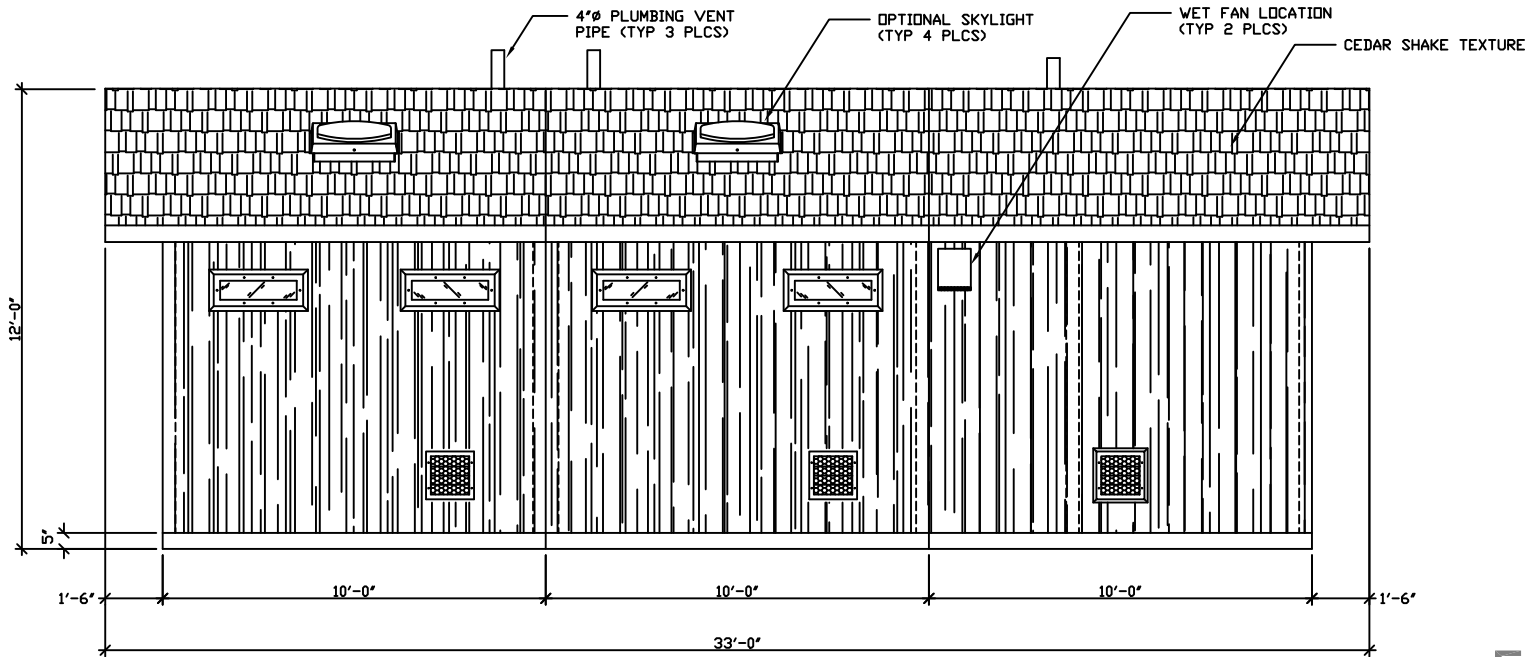


CHEYENNE
CXT STANDARD BUILDING

NOTICE
The information contained herein is proprietary and the exclusive property of CXT Incorporated. The information may only be used by the original recipient for the purpose intended. Reproduction or distribution of this information is strictly prohibited without the prior written consent of CXT Incorporated. By allowing use of this information, CXT Incorporated grants no warranty, express or implied, including a warranty of merchantability or of fitness for a particular purpose.

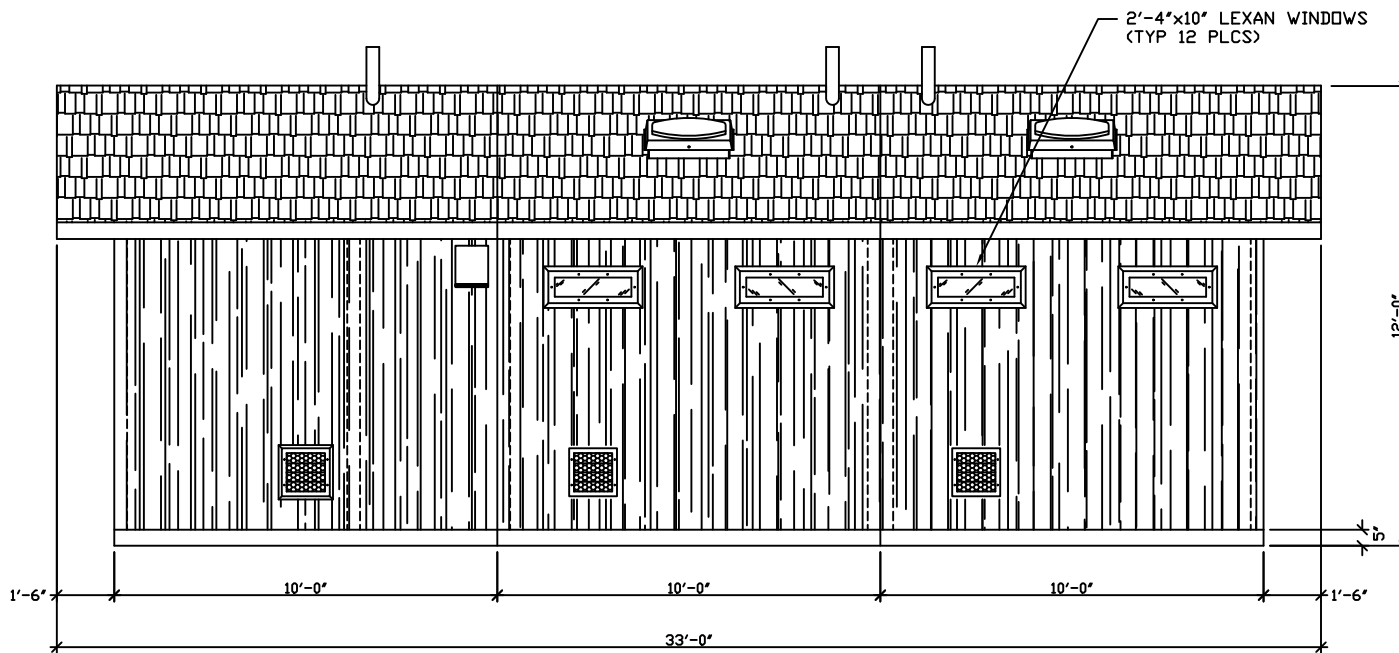
SCALE	3/8"=1'-0"	DATE	04-29-08
DRAWN		FILE NO.	PD-CH06
CHECKED		PLOT	32

RESTROOM INTERIOR ELEVATIONS	
DWG NO. CH-06	SHEET REV.



RH SIDE ELEVATION

FOR
 REFERENCE
 ONLY



LH SIDE ELEVATION



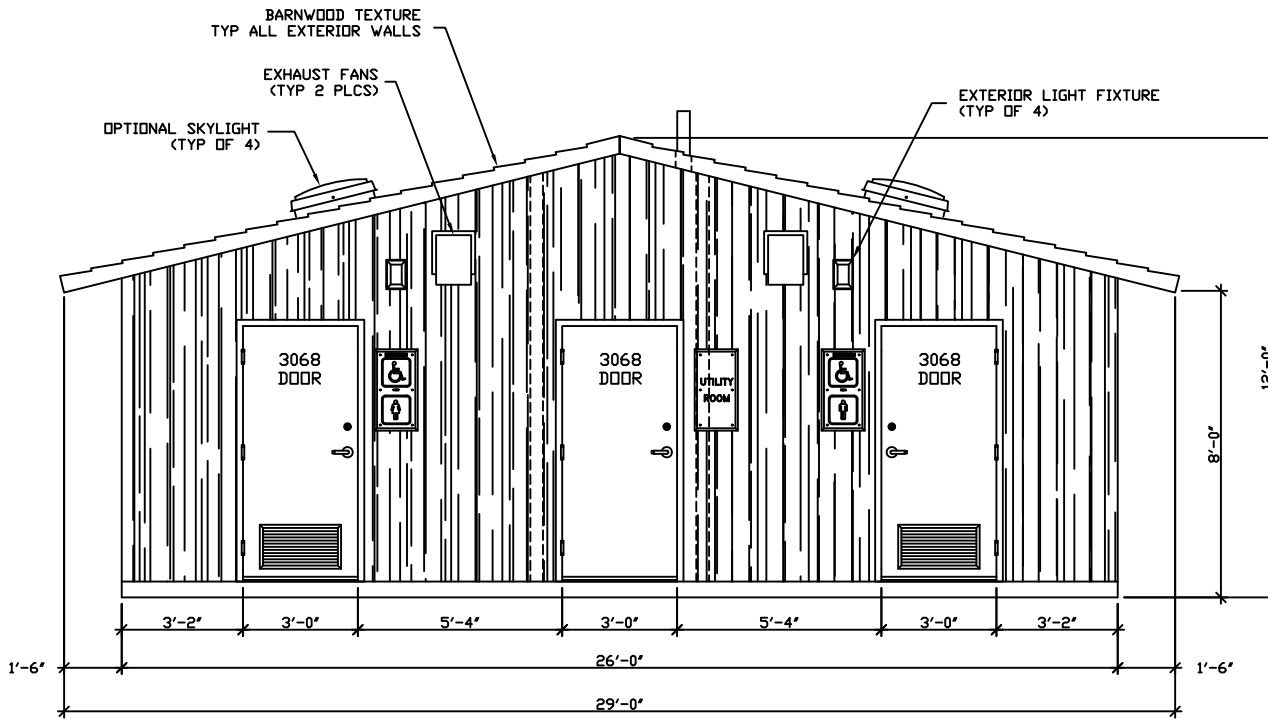
CHEYENNE
 CXT STANDARD BUILDING

NOTICE
 The information contained herein is proprietary and the exclusive property of CXT Incorporated. The information may only be used by the original recipient for the purpose intended. Reproduction or distribution of this information is strictly prohibited without the prior written consent of CXT Incorporated. By allowing use of this information, CXT Incorporated grants no warranty, express or implied, including a warranty of merchantability or of fitness for a particular purpose.

REV.	DESCRIPTION	APPROVAL	DATE
SCALE	1/8"=1'-0"	DATE	04-28-08
DRAWN	FILE NO.	PD-CH05	
CHECKED	PLOT	32	

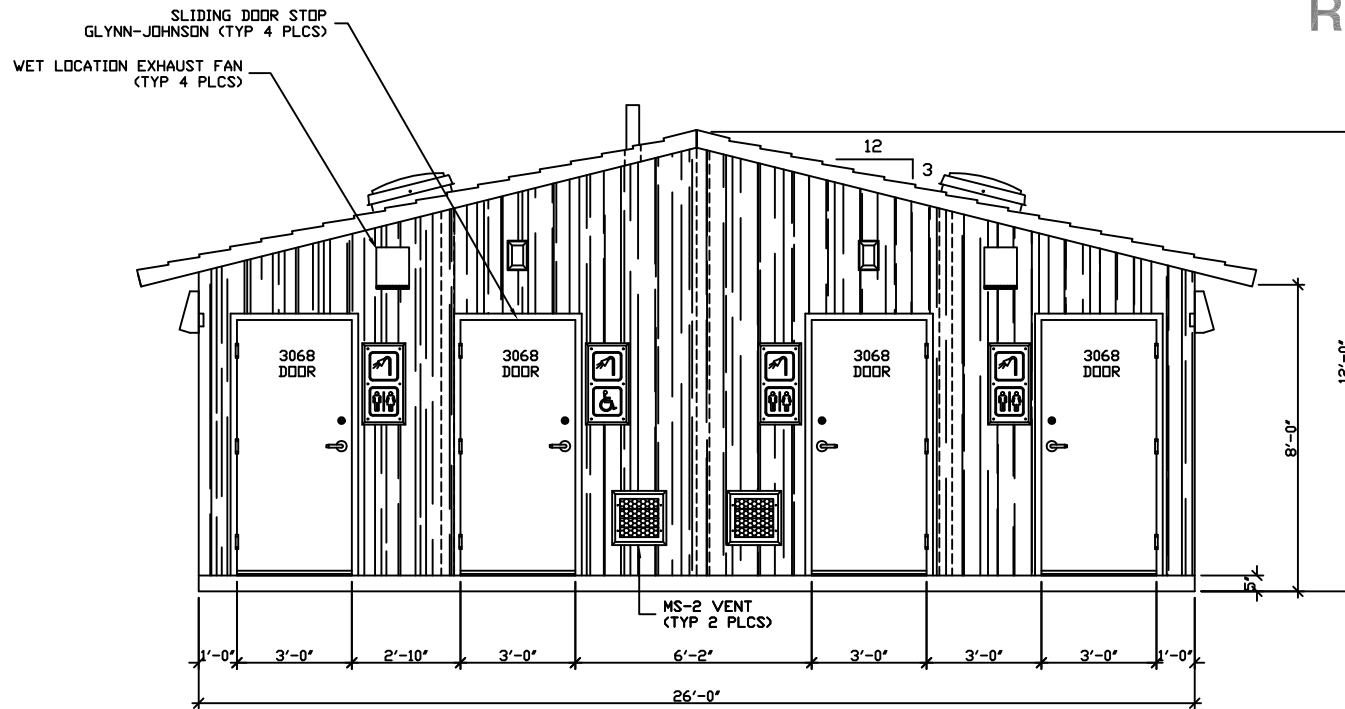
BUILDING ELEVATIONS

DWG NO.	SHEET	REV.
CH-05		



FRONT ELEVATION

FOR
REFERENCE
ONLY



REAR ELEVATION



CHEYENNE
CXT STANDARD BUILDING

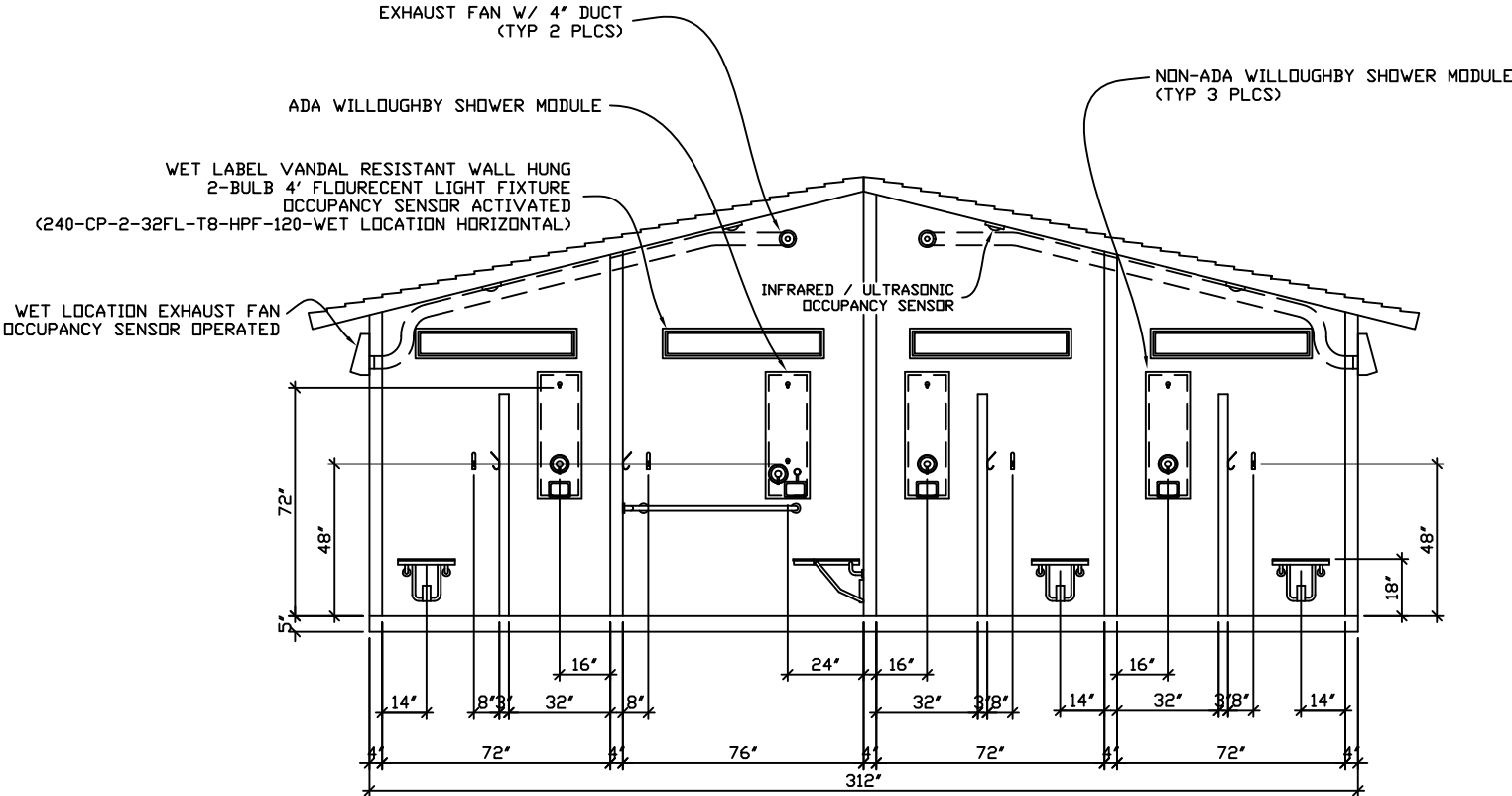
NOTICE
The information contained herein is proprietary and the exclusive property of CXT Incorporated. The information may only be used by the original recipient for the purpose intended. Reproduction or distribution of this information is strictly prohibited without the prior written consent of CXT Incorporated. By allowing use of this information, CXT Incorporated grants no warranty, express or implied, including a warranty of merchantability or of fitness for a particular purpose.
CXT Incorporated

REV.	DESCRIPTION	DATE	BY
SCALE	1/8"=1'-0"	DATE	04-28-08
DRAWN		FILE NO.	PD-CH04
CHECKED		PLOT	32

BUILDING ELEVATIONS

DWG NO.	SHEET	REV.
CH-04		

FOR REFERENCE ONLY



CHEYENNE
CXT STANDARD BUILDING

NOTICE
The information contained herein is proprietary and the exclusive property of CXT Incorporated. The information may only be used by the original recipient for the purpose intended. Reproduction or distribution of this information is strictly prohibited without the prior written consent of CXT Incorporated. By allowing use of this information, CXT Incorporated grants no warranty, express or implied, including a warranty of merchantability or of fitness for a particular purpose.

REV.	DESCRIPTION	DATE	APPROVAL	SIGN.
SCALE	1/8" = 1'-0"	DATE	04-28-08	
DRAWN		FILE NO.	PD-CH07	
CHECKED		PLOT	32	

**SHOWER
INTERIOR ELEVATIONS**

DWG NO. CH-07 SHEET REV.